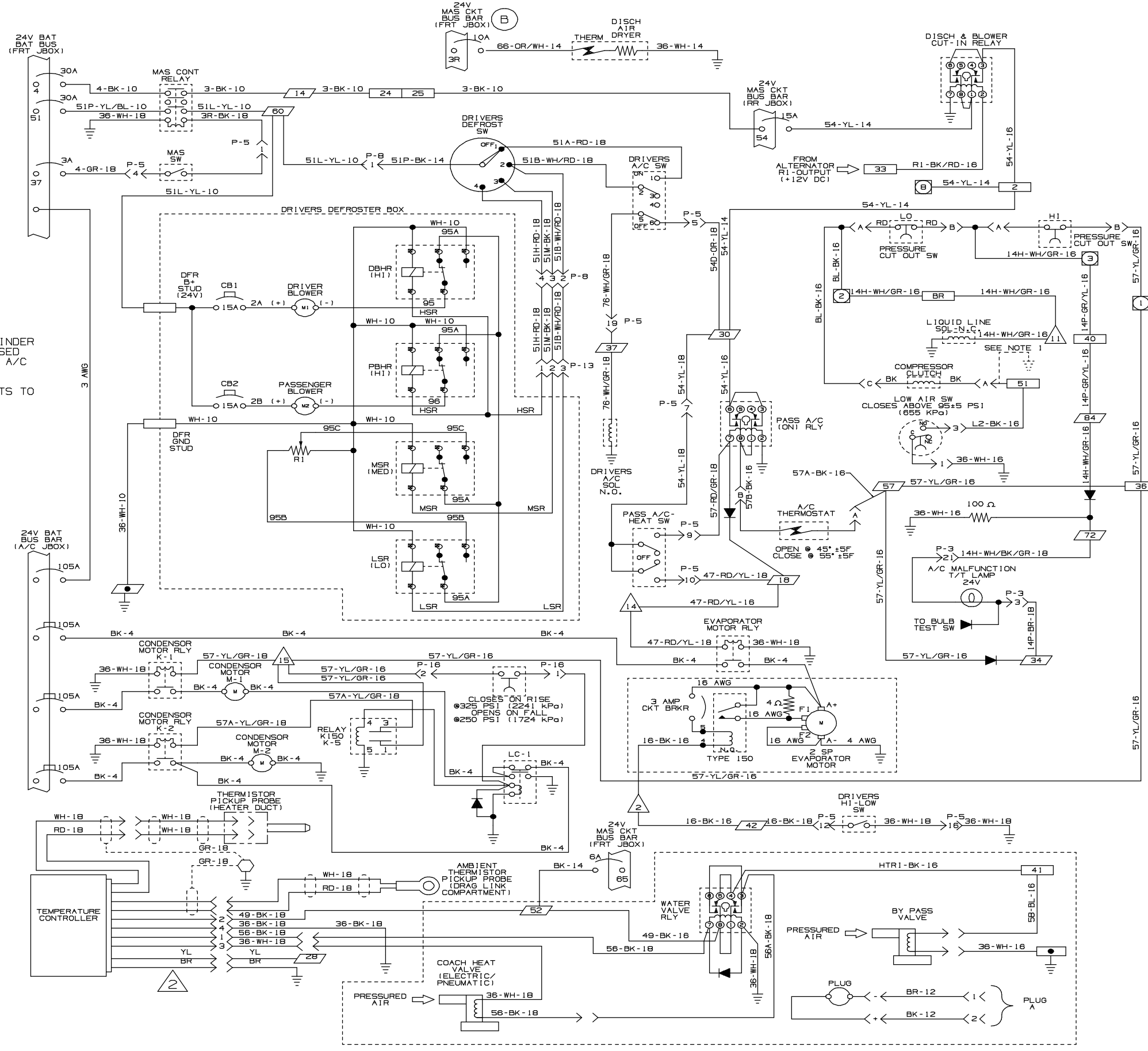


NOTE:
 1. CONNECT TO STUD 51 REAR J-BOX IF AIR CYLINDER STYLE A/C COMPRESSOR BELT TENSIONER IS USED AND TO GROUND STUD WHEN TURNBUCKLE STYLE A/C COMPRESSOR BELT TENSIONER IS USED.
 2. TEMPERATURE CONTROLLER BROWN WIRE CONNECTS TO GROUND FOR CELCIUS READING ONLY.



- FRT J-BOX STUD BLOCK
- FRONT J-BOX STUD
- FRT J-BOX ENT STUD BLK
- REAR J-BOX STUD BLOCK
- REAR J-BOX STUD
- A/C J-BOX STUD BLOCK
- PARCEL RACK STUD BLOCK
- REM CONT J-BOX HORIZ STUD BLK
- REM CONT J-BOX VERT STUD BLK
- ENG CRADLE STUD BLK
- ENGINE CRADLE STUD
- BEHIND DASH ILLUM STUD
- BEHIND DASH B+ STUD
- BEHIND DASH GND STUD
- DEST SIGN STUD BLOCK
- SENSING ELEMENT PLUG
- ROOF HARNESS BLK STUD
- OPTION

WH-WHITE RD-RED
 GY-GREY BR-BROWN
 VO-VIOLET BK-BLACK
 BL-BLUE YL-YELLOW
 GR-GREEN OR-ORANGE

LEGEND

HEATING AND AIR CONDITIONING
 102D3 & 102DL3
 7L-13-3393 (REV B)